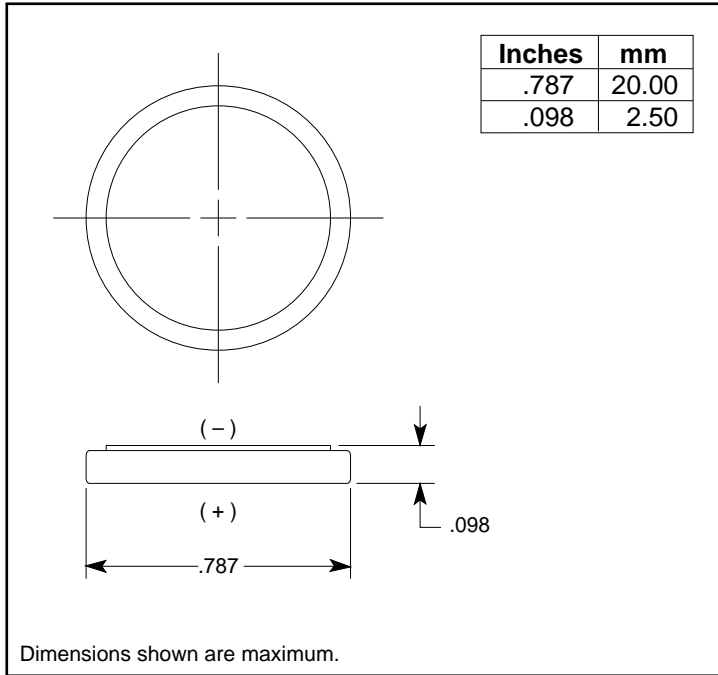
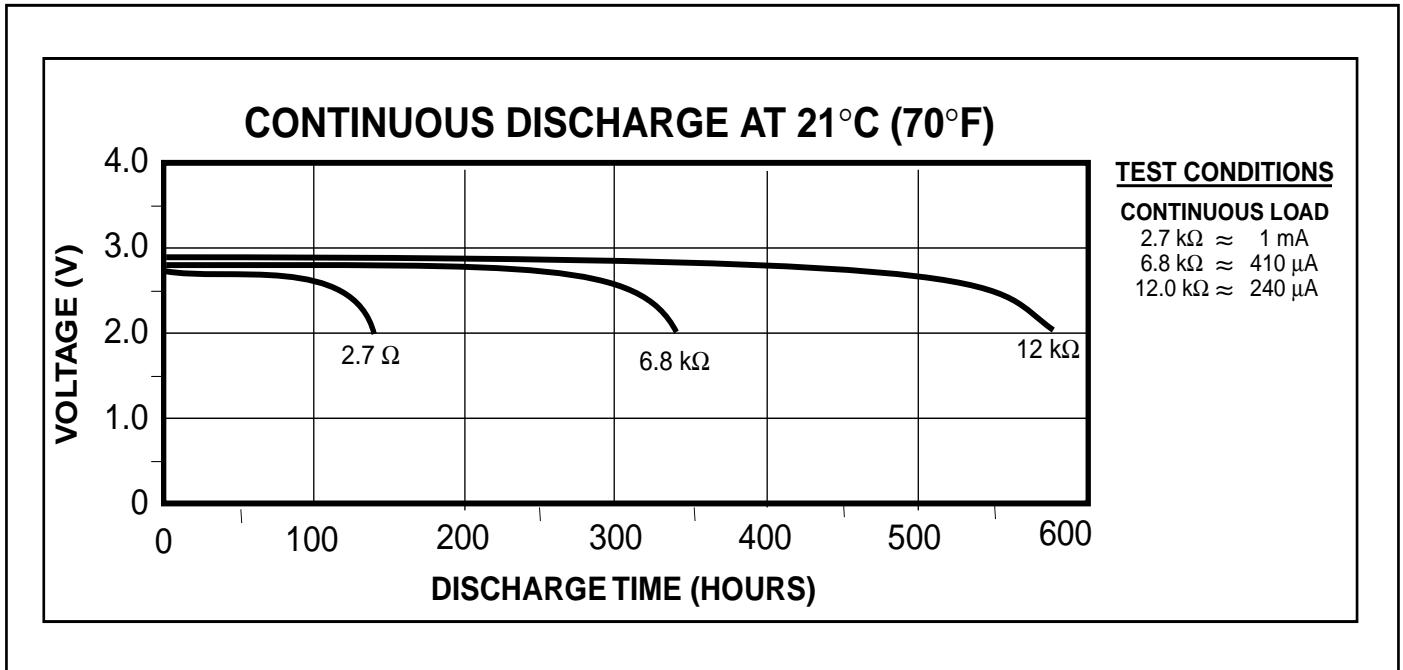


Lithium/Manganese Dioxide Battery



SPECIFICATIONS

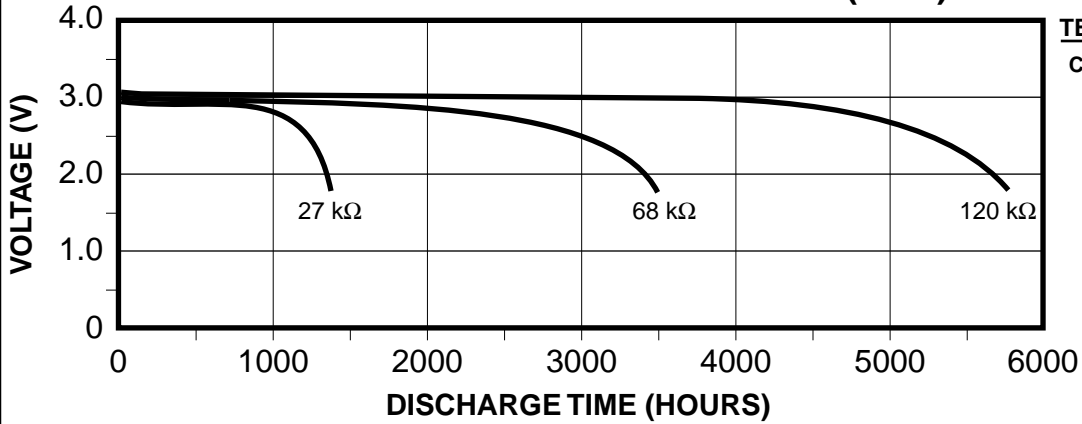
Nominal Voltage:	3.0 V
Typical Voltage:	3.1 – 3.3 V
Rated Capacity:	150 mAh on 15 k Ω to 2.0 V at 21°C (70°F)
Average Weight:	0.078 oz. (2.2 g)
Volume:	0.048 in. ³ (0.79 cm ³)
Terminals:	Flat, PC Pins
Operating Temp. Range:	-40°C to 60°C (-40°F to 140°F)
NEDA/ANSI:	5003LC
IEC:	—



DURACELL INC.

New Products and Technology Division
Berkshire Corporate Park
Bethel, CT 06801 U.S.A.
Telephone: Toll-free 1-800-431-2656
Outside North America: 203-791-3274
Facsimile: 203-791-3273
Internet: www.duracellnpt.com

CONTINUOUS DISCHARGE AT 21°C (70°F)

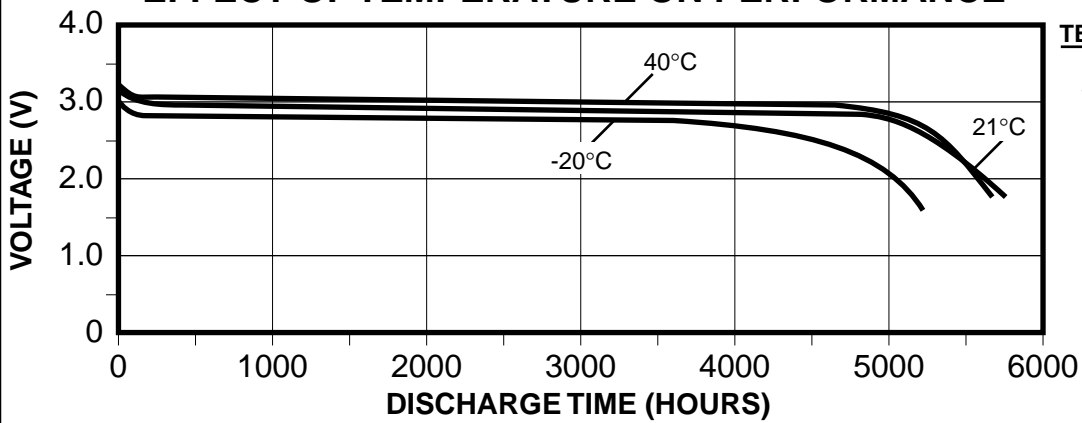


TEST CONDITIONS

CONTINUOUS LOAD

27 kΩ ≈ 105 μA
 68 kΩ ≈ 42 μA
 120 kΩ ≈ 25 μA

EFFECT OF TEMPERATURE ON PERFORMANCE

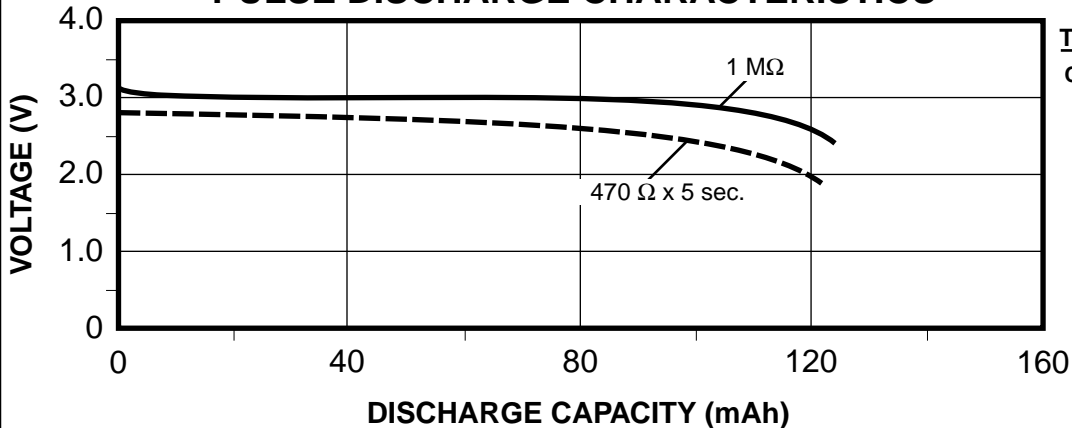


TEST CONDITIONS

LOAD DRAIN
 120 kΩ ≈ 25 μA

TEMPERATURE
 -20°C (-4°F)
 21°C (70°F)
 40°C (104°F)

PULSE DISCHARGE CHARACTERISTICS



TEST CONDITIONS

CONTINUOUS LOAD

1 MΩ ≈ 3 μA

PULSE LOAD

470 Ω ≈ 5.5 mA

DURATION:

5 seconds

PULSES:

one

TEMPERATURE

21°C (70°F)