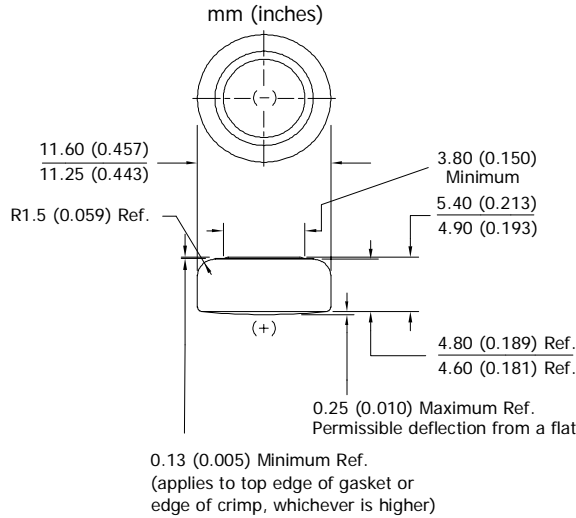


**ENERGIZER A76**

**MINIATURE ALKALINE**



**Industry Standard Dimensions**



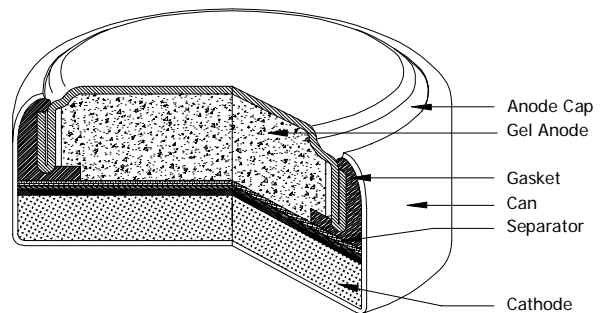
DESIGNED FOR ELECTRONIC APPLICATIONS  
WHICH MAY REQUIRE HIGH RATE PULSES

**Specifications**

- Chemical System:** Manganese Dioxide (MnO<sub>2</sub>)
- Designation:** ANSI/NEDA 1166A, IEC-LR44
- Nominal Voltage:** 1.5 Volts
- Typical Capacity:** 150 mAh\* (to 0.9 volts)
- Capacity Test:** 7.5K ohm continuous drain at 21°C (70°F)
- Typical Weight:** 2.4 grams (0.08 oz.)
- Typical Volume:** 0.54 cubic centimeters (0.03 cubic inch)
- Impedance (40 Hz):** 3 to 9 ohms
- Max Bulge:** This battery will bulge as it is discharged, but will not exceed the maximum height shown on the battery drawing.

\* Varies according to the applied load, temperature, and cutoff voltage.

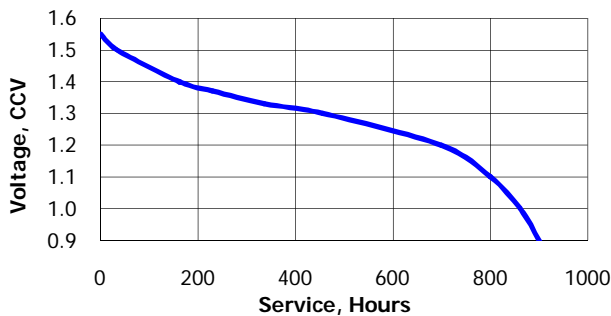
**Cross Section**



**Typical Discharge Characteristics**

Typical Performance at 21°C (70°F)

**Load:** 7.5K ohms - Continuous  
**Typical Drain @ 1.25V:** 0.17 mA  
**Hours to 0.9V:** 900



**Depth of Discharge**

Typical Performance at 21°C (70°F)

**Load:** 7.5K ohms - Continuous  
**Typical Drain @ 1.25V:** 0.17 mA  
**Hours to 0.9V:** 900

(as percent of capacity)

Temperature	0%	40%	80%
21°C (70°F)	1.55V	1.33V	1.20V

**Important Notice**

This datasheet contains typical information specific to products manufactured at the time of its publication.  
© Energizer Holdings, Inc. - Contents herein do not constitute a warranty.