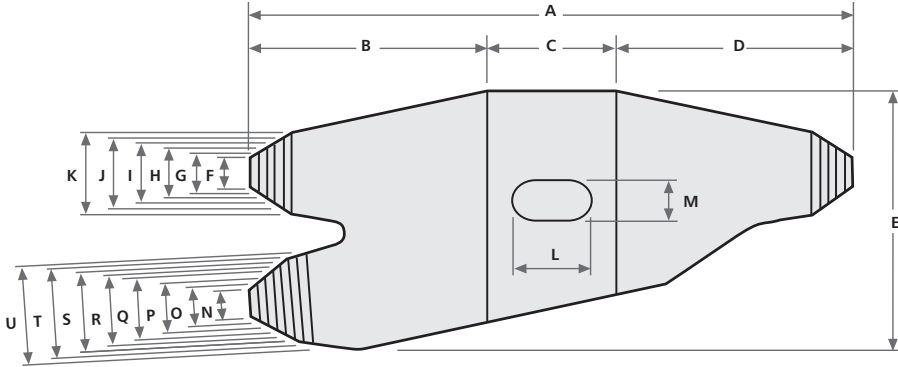


Standard Branch Joints

Dimensions and Selection Chart



Dimensions

All Dimensions are Internal and all are in millimetres.

| ref | resin pack used | A | B | C | D | E | F | G | H | I | J | K | L | M | N | O | P | Q | R | S | T | U |
|--------------|----------------------------|-----|-----|-----|-----|-----|----|----|----|----|-----|-----|----|----|----|----|----|----|----|----|----|----|
| SB4 | RP2 (1 pack) | 190 | 79 | 34 | 79 | 62 | 5 | 8 | 11 | 14 | 18 | 21 | 20 | 10 | 5 | 8 | 11 | 14 | 18 | 21 | - | - |
| SB10 | RP3 (1 pack) | 220 | 86 | 48 | 86 | 95 | 10 | 14 | 18 | 22 | 26 | 30 | 30 | 15 | 10 | 14 | 18 | 22 | 26 | 30 | - | - |
| SB25 | RP3 (1 pack) | 270 | 105 | 60 | 105 | 112 | 17 | 21 | 25 | 30 | 33 | 38 | 30 | 15 | 17 | 21 | 25 | 30 | 33 | 38 | - | - |
| SB50 | RP4 (1 pack) | 340 | 120 | 100 | 120 | 120 | 20 | 23 | 26 | 32 | 36 | 40 | 35 | 17 | 20 | 23 | 26 | 32 | 36 | 40 | - | - |
| SB120 | RP5 (1 pack) | 400 | 150 | 100 | 150 | 140 | 30 | 35 | 40 | 42 | 48 | 50 | 40 | 20 | 20 | 23 | 27 | 30 | 33 | 36 | 38 | 40 |
| SB240 | RP6/RP4 (2/1 packs) | 500 | 189 | 125 | 186 | 179 | 50 | 58 | 65 | 71 | 79 | 48 | 40 | 30 | 20 | 23 | 27 | 30 | 33 | 36 | 38 | 40 |
| SB400 | RP6 (5 packs) | 650 | 245 | 162 | 243 | 213 | 55 | 67 | 79 | 91 | 103 | 115 | 60 | 32 | 20 | 23 | 27 | 30 | 33 | 36 | 38 | 40 |

Kit Selection Chart for LV Branch Joints - Armoured Cable

| ref | | Cable Sizes (mm ²) 2, 3 or 4 Core | | | | | | | | | | | | | | | | | | | |
|--------------|--------------|---|-----|---|---|----|----|----|----|----|----|----|-----|-----|-----|-----|-----|-----|---|---|---|
| | | 1.5 | 2.5 | 4 | 6 | 10 | 16 | 25 | 35 | 50 | 70 | 95 | 120 | 150 | 185 | 240 | 300 | 400 | | | |
| SB4 | Main Cable | █ | █ | █ | | | | | | | | | | | | | | | | | |
| | Branch Cable | | | | | | | | | | | | | | | | | | | | |
| SB10 | Main Cable | | | | █ | █ | █ | | | | | | | | | | | | | | |
| | Branch Cable | | | | | | | | | | | | | | | | | | | | |
| SB25 | Main Cable | | | | | █ | █ | █ | █ | | | | | | | | | | | | |
| | Branch Cable | | | | | | | | | | | | | | | | | | | | |
| SB50 | Main Cable | | | | | | █ | █ | █ | █ | | | | | | | | | | | |
| | Branch Cable | | | | | | | | | | | | | | | | | | | | |
| SB120 | Main Cable | | | | | | | | | █ | █ | █ | █ | █ | | | | | | | |
| | Branch Cable | | | | | | | | | | | | | | | | | | | | |
| SB240 | Main Cable | | | | | | | | | | | | | | █ | █ | █ | █ | █ | █ | █ |
| | Branch Cable | | | | | | | | | | | | | | | | | | | | |
| SB400 | Main Cable | | | | | | | | | | | | | | | | | | | | █ |
| | Branch Cable | | | | | | | | | | | | | | | | | | | | █ |

Kit Selection Chart for LV Branch Joints - Unarmoured Cable

| ref | | Cable Sizes (mm ²) 2, 3 or 4 Core | | | | | | | | | | | | | | | | | | | |
|--------------|--------------|---|-----|---|---|----|----|----|----|----|----|----|-----|-----|-----|-----|-----|-----|---|---|---|
| | | 1.5 | 2.5 | 4 | 6 | 10 | 16 | 25 | 35 | 50 | 70 | 95 | 120 | 150 | 185 | 240 | 300 | 400 | | | |
| SB4 | Main Cable | █ | █ | █ | | | | | | | | | | | | | | | | | |
| | Branch Cable | | | | | | | | | | | | | | | | | | | | |
| SB10 | Main Cable | | | | █ | █ | █ | | | | | | | | | | | | | | |
| | Branch Cable | | | | | | | | | | | | | | | | | | | | |
| SB25 | Main Cable | | | | | █ | █ | █ | █ | | | | | | | | | | | | |
| | Branch Cable | | | | | | | | | | | | | | | | | | | | |
| SB50 | Main Cable | | | | | | █ | █ | █ | █ | | | | | | | | | | | |
| | Branch Cable | | | | | | | | | | | | | | | | | | | | |
| SB120 | Main Cable | | | | | | | | | █ | █ | █ | █ | █ | | | | | | | |
| | Branch Cable | | | | | | | | | | | | | | | | | | | | |
| SB240 | Main Cable | | | | | | | | | | | | | | █ | █ | █ | █ | █ | █ | █ |
| | Branch Cable | | | | | | | | | | | | | | | | | | | | |
| SB400 | Main Cable | | | | | | | | | | | | | | | | | | | | █ |
| | Branch Cable | | | | | | | | | | | | | | | | | | | | █ |

Key

- █ = Correct Joint Kit (Example: 6mm 4 Core Unarmoured Cable = S10)
- ▒ = Larger kits can be used at the customers own discretion