

## Heavy Duty Technicians Tool Case Plus

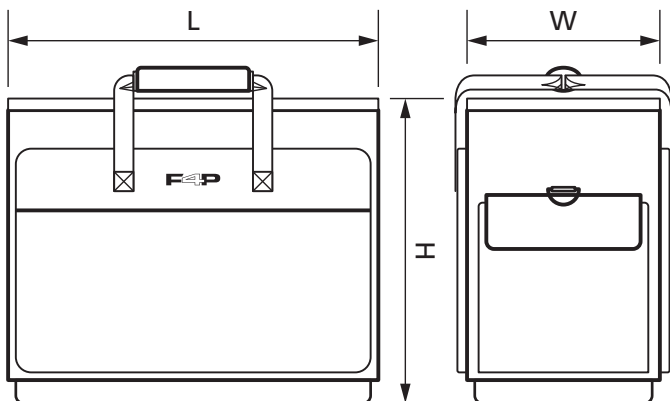
Product Ref: **F4PHDTECHCASE**

### Technical Features:

- 4 External pockets
- 73 Internal pockets and holders
- Fold out panels for easy tool access
- Waterproof and crackproof rubberised base
- Padded handle and shoulder strap for maximum comfort
- Padded central compartment fits laptop
- Heavy duty 1680D material
- High visibility reflective strips
- Loading capacity: 30kg

## Product Specification

Colour	Black/Red
Guarantee	1 Year
Handle Type	Padded
Number of Pockets	77
Material	1680D Ballistic Weave
Weight	1.700kg
Height	410mm
Length	450mm
Width	280mm



Errors and omissions excepted (E&OE). All information is subject to change without notice and is correct at the time of print. Refer to issue number and date below.

Tel: +44 (0)1302 765 570 • [f4p-products.com](http://f4p-products.com) • [@F4Pinfo](https://twitter.com/F4Pinfo)