

In-line Cable Connector 16A 5-9mm IP68

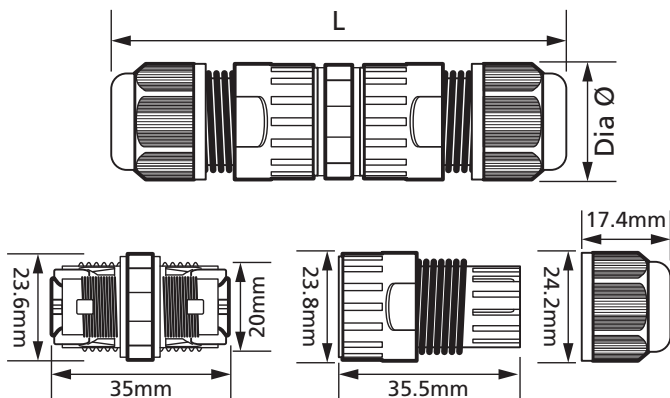
Product Ref: **F4PINLINEC**

Technical Features:

- Ideal for temporary connections are required for power
- Suitable for domestic and commercial applications, such as outside lighting, heating and water pumps
- Tested to IP68, 2 bar for 30 minutes (note: Not Submersible)
- Offer quick and easy power connection without any tools
- Suitable for cables with a diameter between 5-9mm

Product Specification

Cable Size Range	5 - 9mm ²
Cable Entry	2 x Compression Gland Entries
Colour	Black
Compliance	UKCA, CE
Current Rating	16A
Gland Tighten Torque	2.5Nm (max)
Guarantee	1 Year
IP Rating	IP68
Material	PA66 Fire-retardant
Number of Poles	3 Pole
Number of Terminals	3
Standards	IEC 60998-1/-2-2
Suitable For	Round cable only Indoors or Outdoors
Temperature Range	-20 to +80°C
Terminal Size	0.5mm ² - 2.5mm ²
Rated Insulation Voltage	450V
Weight	0.028kg
Diameter Ø	24mm
Length	82mm



Errors and omissions excepted (E&OE). All information is subject to change without notice and is correct at the time of print. Refer to issue number and date below.

Tel: +44 (0)1302 765 570 • f4p-products.com • @F4Pinfo