

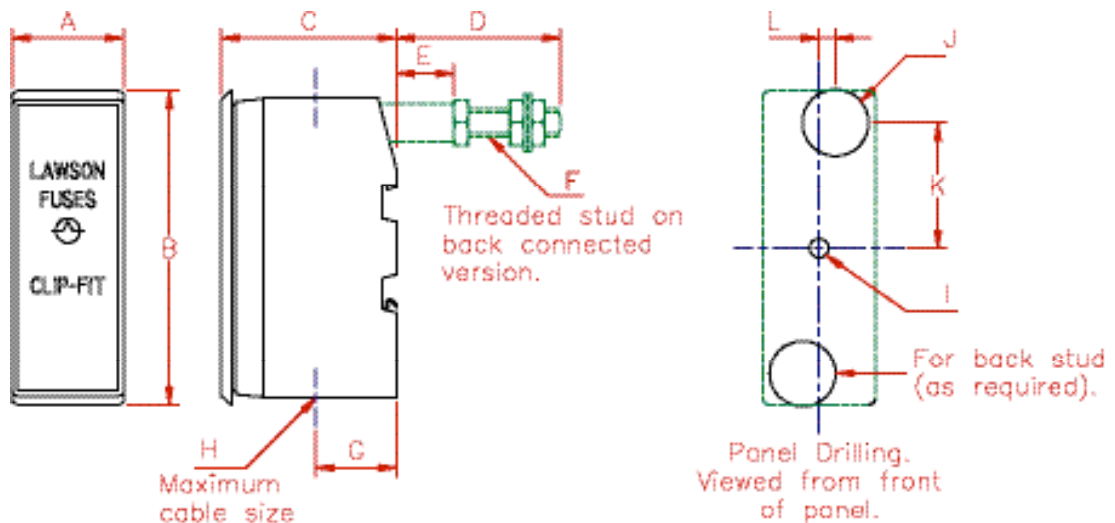
**CLIPFIT 240/415V a.c. Fuse-Holders for Fuse-Links to BS88: Part 6 & IEC 60269-2 TYPE LCF**



CLIPFIT fuse-holders provide a simple safe range designed to accommodate the compact dimension fuse-links to BS88: Part 6 and are ASTA certified to the required test duty. Breaking capacities are 50kA at 240V a.c. and 80kA at 415V a.c. CLIPFIT is available in 20, 32, and 63 Amp ratings, and incorporates an integral DIN rail mounting facility as well as single screw fixing. Front connected, back connected, front/busbar connected and front/back connected configurations are available in black or white as standard colours.

For white fuse-holders substitute WH for BK in list references.

List Reference	Voltage Rating (V)	Current Rating (A)	Colour	Lawson Fuse-Link (BS Ref)	Solid Link
LCF 20 FC/FC BK LCF 20 FC/BBC BK LCF 20 FC/BC BK LCF 20 BC/BC BK	240	20	Black	SS (E1)	SLE1 20
LCF 32 FC/FC BK LCF 32 FC/BBC BK LCF 32 FC/BC BK LCF 32 BC/BC BK	415	32		NS (F1)	SLF1 32
LCF 63 FC/FC BK LCF 63 FC/BBC BK LCF 63 FC/BC BK LCF 63 BC/BC BK	415	63		MES (F2)	SLF2 63
Spare Carriers				Busbar Stud Connector	
LCF 20 CA BK LCF 32 CA BK LCF 63 CA BK				LBC 20 LBC 32 LBC 63	



LAWSON REFERENCE	CURRENT RATING (AMPS)	GENERAL DIMENSIONS (mm)											
		A	B	C	D	E	F	G	H	I	J	K	L
LCF20	20	25	69	50	43	16	M6	23	16	5.5	15	24	5.0
LCF32	32	26	80	50	43	17	M6	23	16	5.5	15	30	5.0
LCF63	63	32	90	52	46	17	M8	23	25	5.5	19	38	4.7